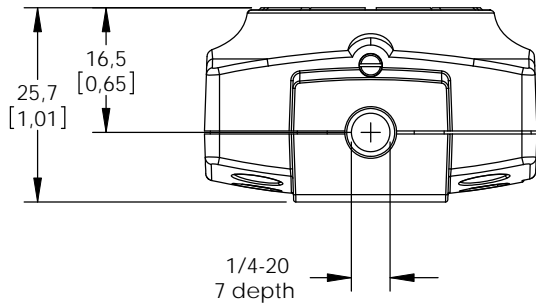
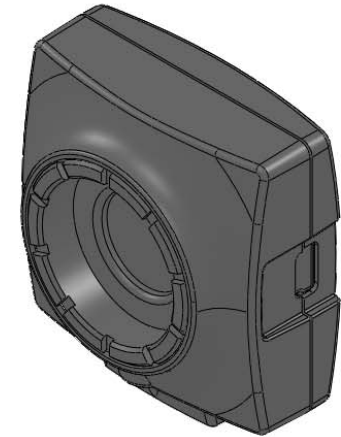
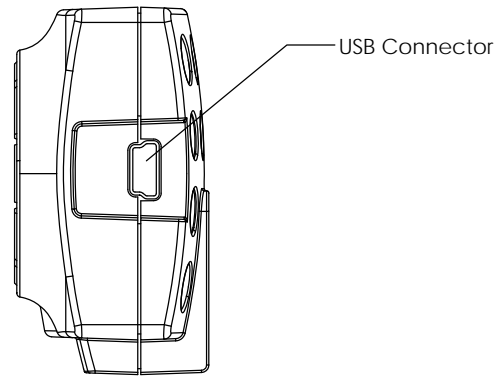
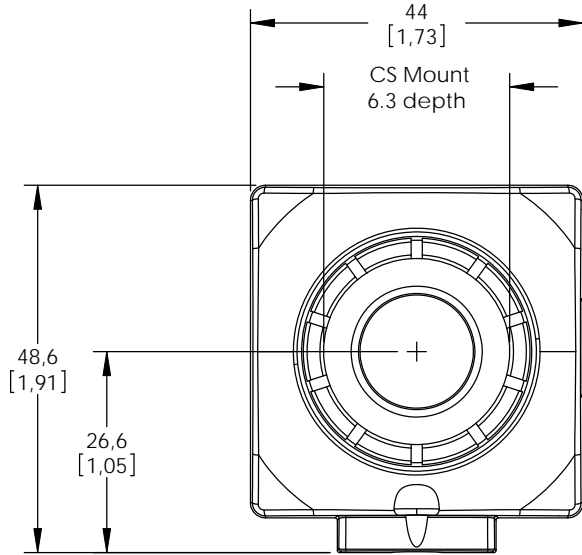


COPYRIGHT 2009 by THORLABS GmbH

REV. #	DESCRIPTION:	NAME/DATE:
A	INITIAL RELEASE	Hit. 04/30/09



**INFORMATION ONLY,
NOT FOR MANUFACTURING**

THORLABS INC. PO BOX 366
NEWTON NJ

TOLERANCES	NAME	DATE
UNLESS OTHERWISE SPECIFIED:	DRAWN Hit.	04/30/09
DIMENSIONS ARE IN mm [INCHES]	ENG APPR.	
	MFG APPR.	
	PROPRIETARY AND CONFIDENTIAL	
	THE INFORMATION CONTAINED IN THIS DRAWING IS THE SOLE PROPERTY OF THORLABS, INC. ANY REPRODUCTION IN PART OR AS A WHOLE WITHOUT THE WRITTEN PERMISSION OF THORLABS, INC. IS PROHIBITED.	

TITLE: DCC 1545M			
MATERIAL:			SIZE A
SCALE: 1 : 1		SHEET 1 OF 1	
DWG. NO. 19418-E01	PART NO. DCC 1545M		